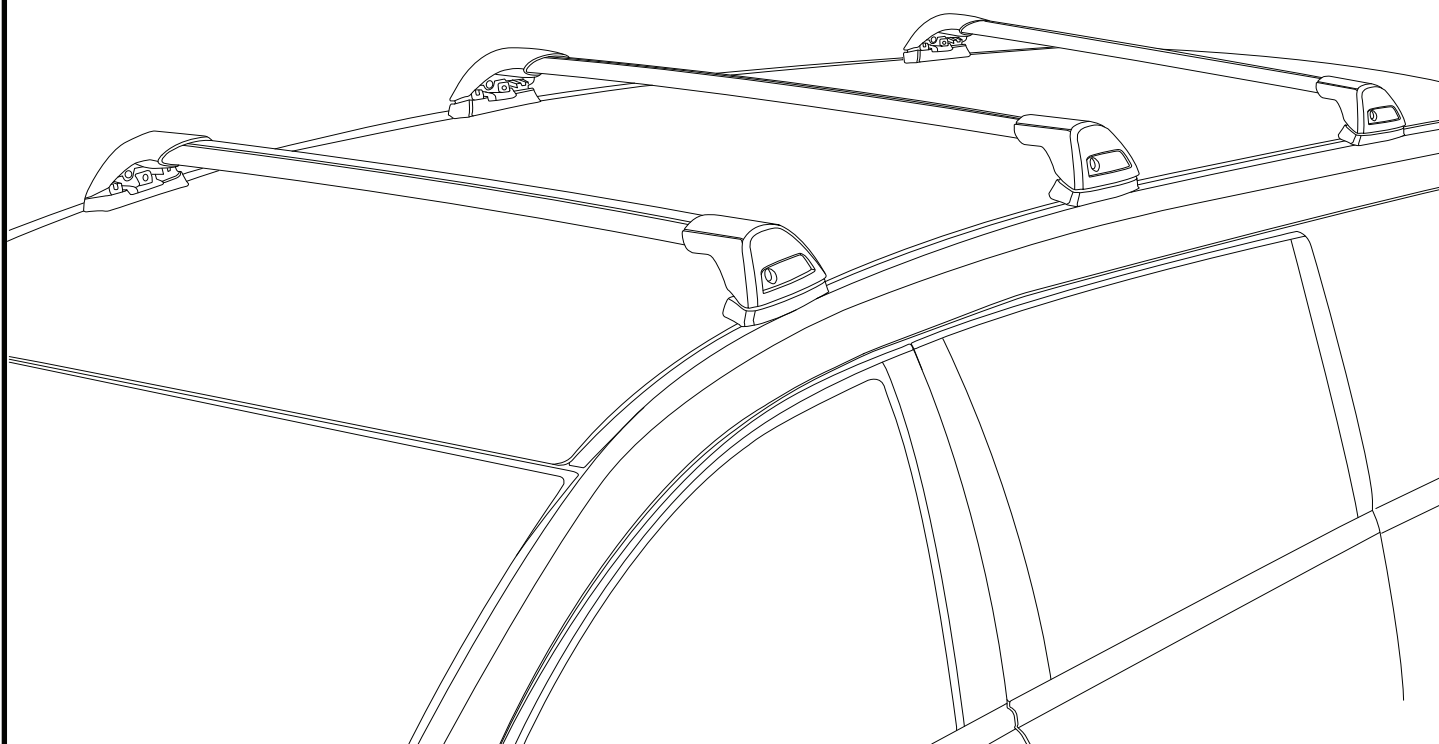
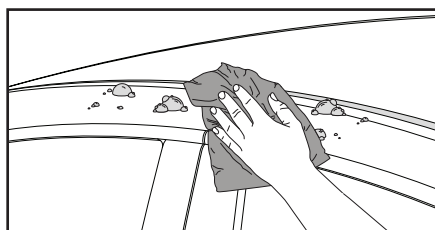
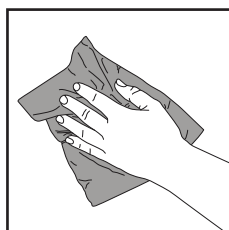
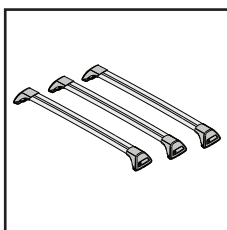
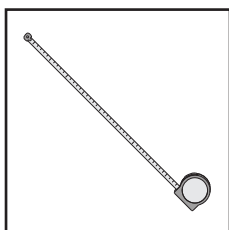
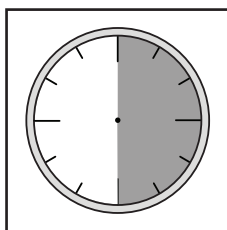


K363

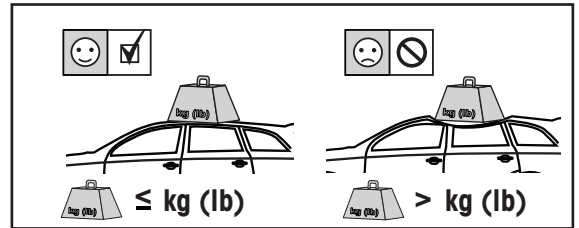
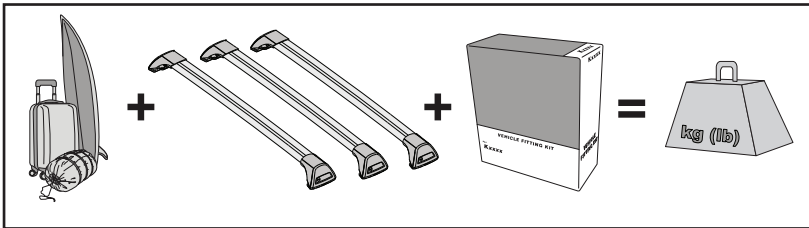
Fitting Kit



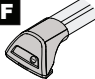

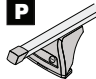
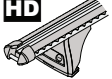


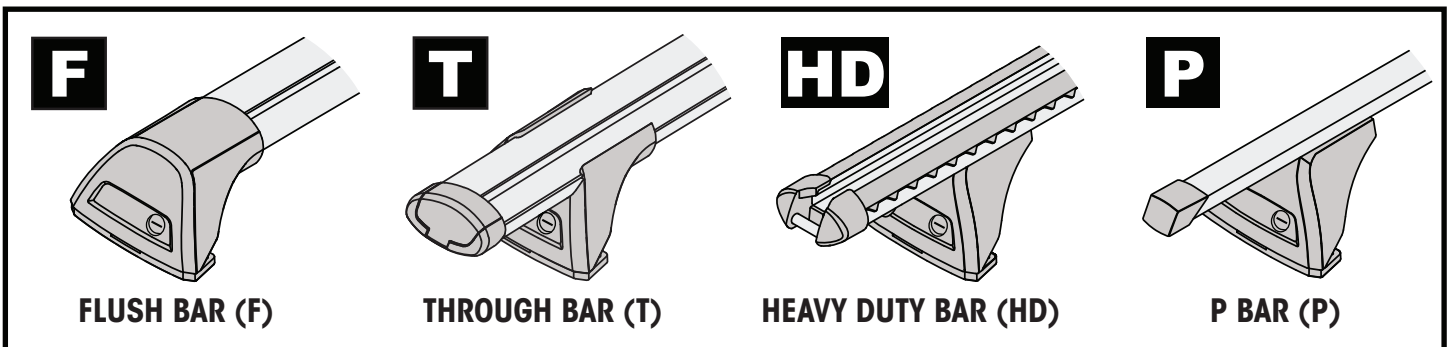
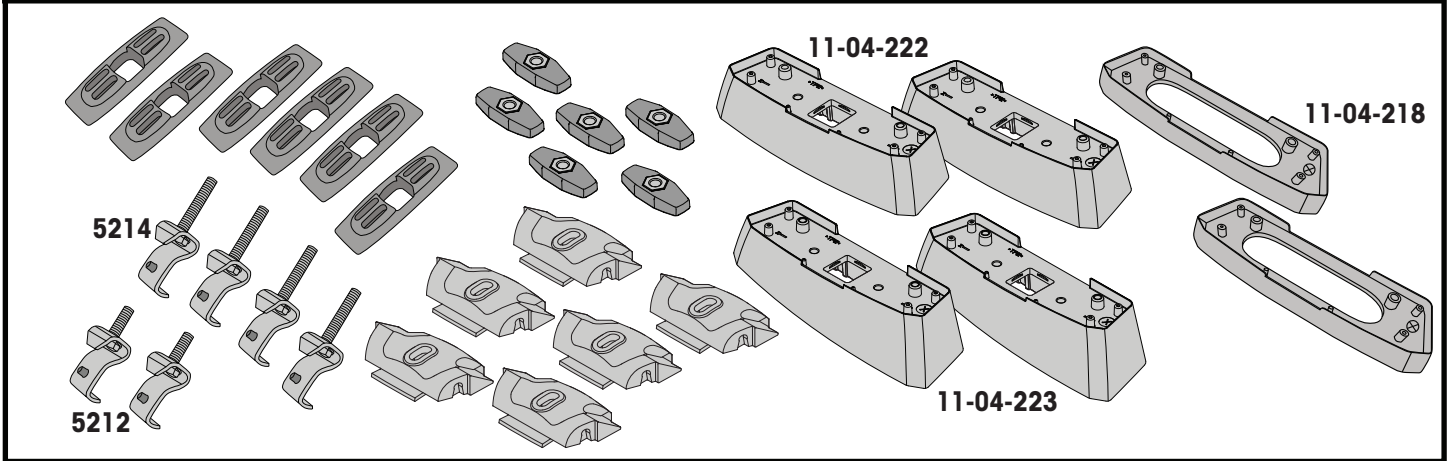
REQUIRED • ERFORDERLICH • REQUERIDOS • OBLIGATOIRE • NØDVENDIG • NECESSÁRIO • ОБЯЗАТЕЛЬНО • OBBLIGATORIO
POTRZEBY • NEVYHNUTELNÉ • NEVYHNUTNÉ • NODIG • NÖDVÄNDIG • PÅKRÆVET • ПОТРІБНА • EDellytetään



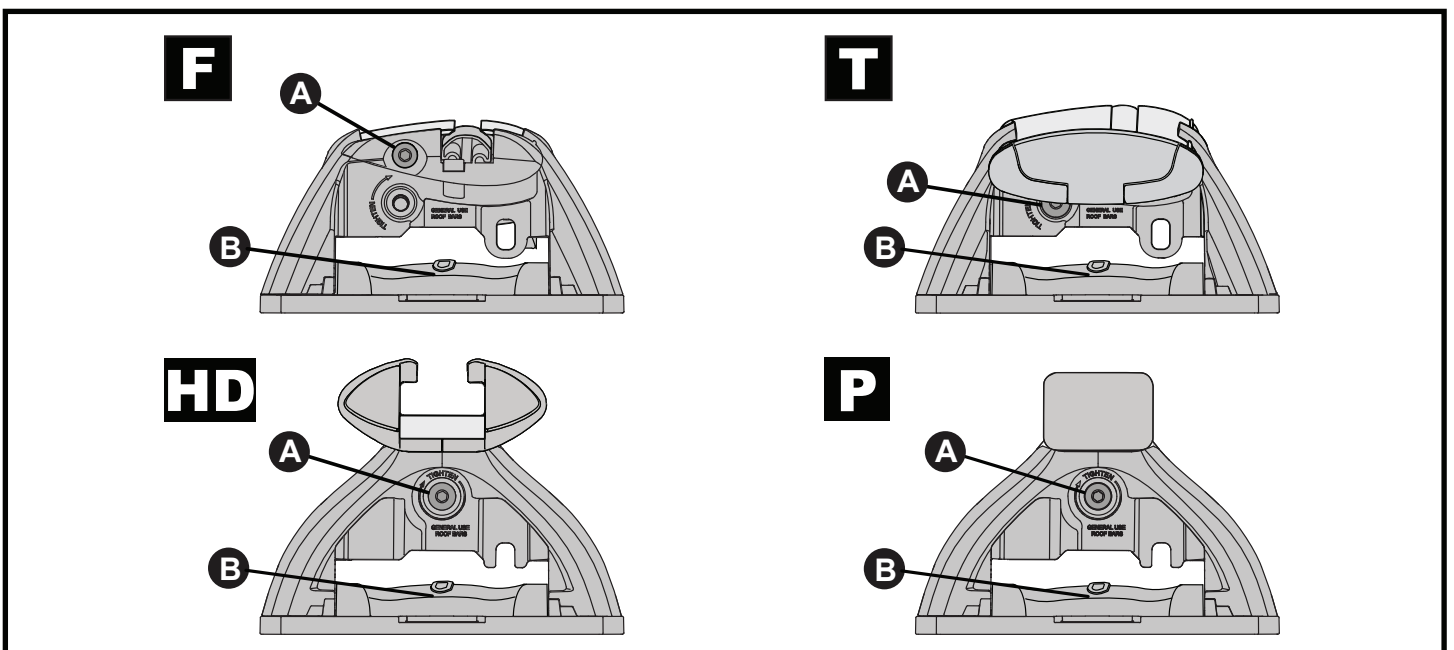
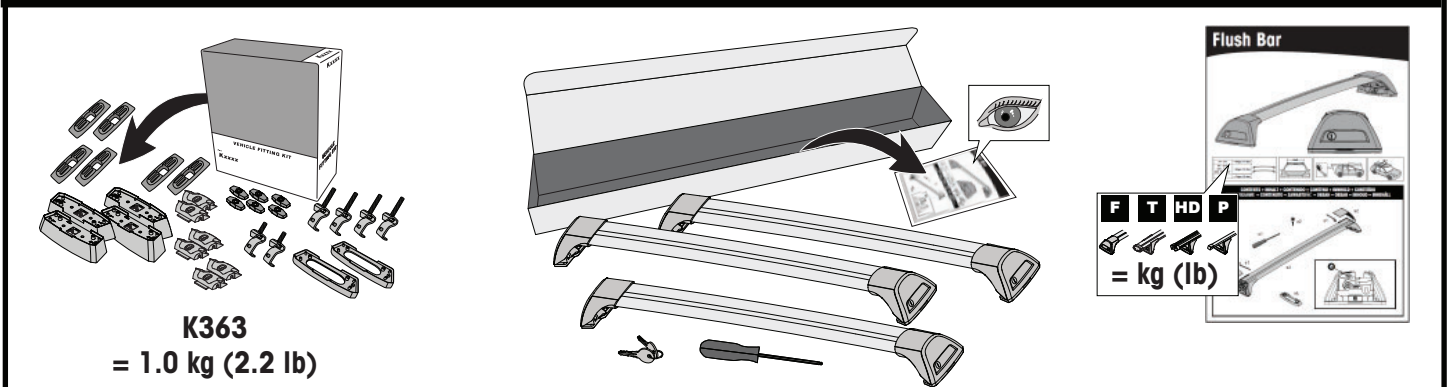
**MAXIMUM kg (lb) • MAXIMUM kg • MÁXIMO kg • MAXIMUM kg • MAKSIMALT kg • MÁXIMO kg
 МАКСИМУМ кг • MASSIMO kg • MAKSIMALNEJ kg • MAXIMÁLNÍ kg • MAXIMÁLNE kg
 MAXIMUM kg • MAXIMAL kg • MAKSIMAL kg • МАКСИМАЛЬНА kg • ENIMMÄISMÄÄRÄ kg**



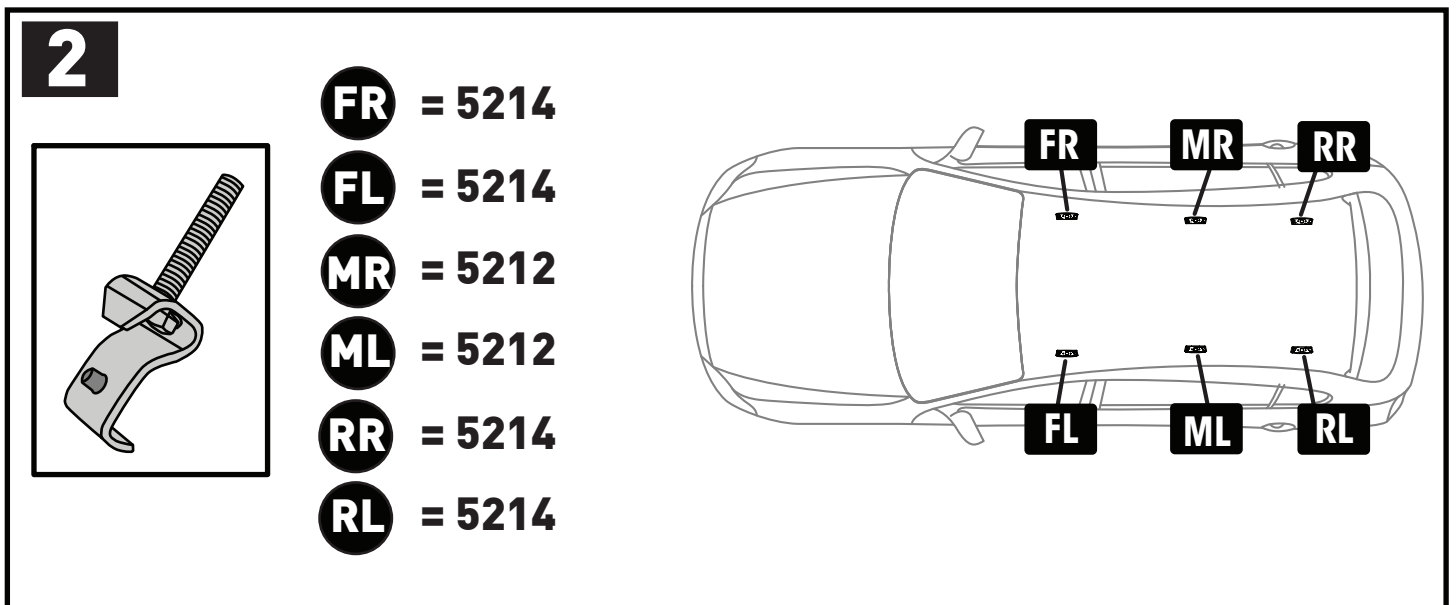
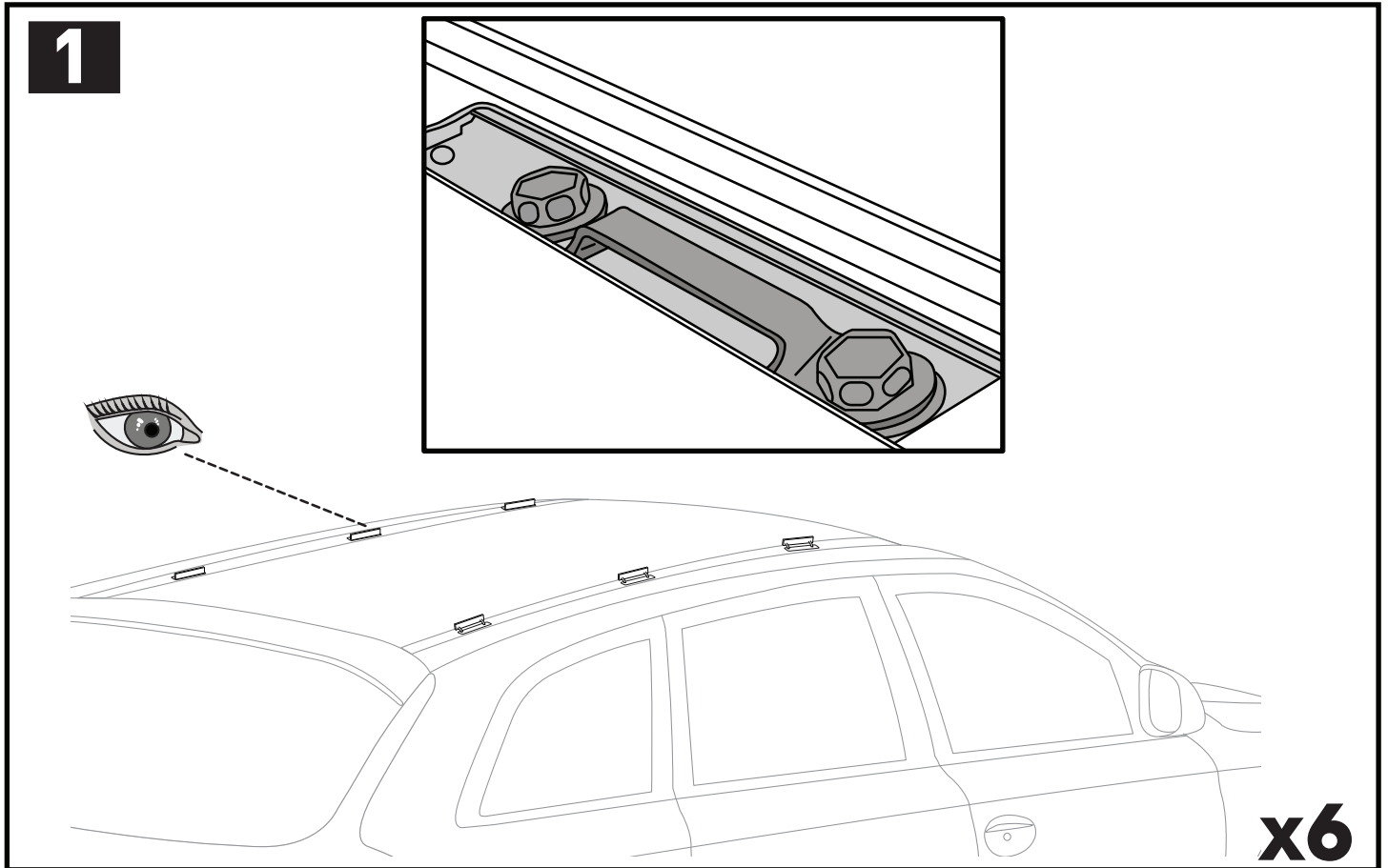
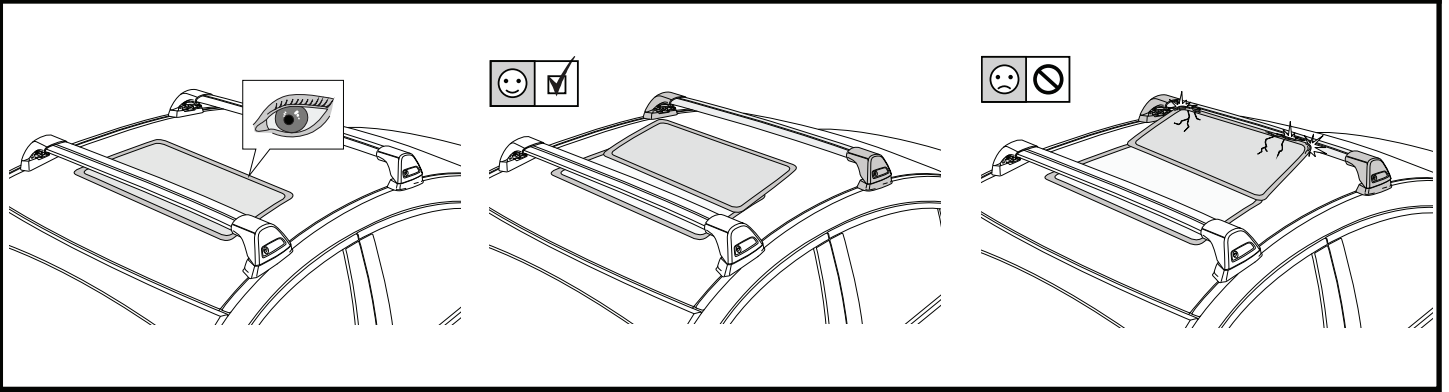
		F  T  P 	HD 
Lexus LX, 5dr SUV Apr 98-Jul 07	AU	100 kg (220 lb)	150 kg (330 lb)
Lexus LX, 5dr SUV May 98-Oct 07	NZ	100 kg (220 lb)	150 kg (330 lb)
Toyota Land Cruiser 100 Series, 5dr SUV 98-07	EU, ZA	100 kg (220 lb)	120 kg (265 lb)
Toyota Land Cruiser 100 Series, 5dr SUV Apr 98-Jun 07	AU	100 kg (220 lb)	120 kg (265 lb)
Toyota Land Cruiser 100 Series, 5dr SUV Apr 98-Oct 07	NZ	100 kg (220 lb)	120 kg (265 lb)
Toyota Land Cruiser 120 Series, 5dr SUV 03-09	EU	75 kg (165 lb)	100 kg (220 lb)
Toyota Land Cruiser 120 Series Prado, 5dr SUV Mar 03-Oct 09	AU	75 kg (165 lb)	100 kg (220 lb)
Toyota Land Cruiser 120 Series Prado, 5dr SUV Mar 03-Nov 09	NZ	75 kg (165 lb)	100 kg (220 lb)
Toyota Land Cruiser 150 Series Prado, 5dr SUV Nov 09+	AU	75 kg (165 lb)	100 kg (220 lb)
Toyota Land Cruiser 150 Series Prado, 5dr SUV Dec 09+	NZ	75 kg (165 lb)	100 kg (220 lb)
Toyota Land Cruiser 150 Series Prado, 5dr SUV 09-16	CN	75 kg (165 lb)	100 kg (220 lb)
Toyota Land Cruiser 200 Series, 5dr SUV 07-15	CN	100 kg (220 lb)	150 kg (330 lb)
Toyota Land Cruiser 200 Series V8, 5dr SUV 07-15	EU	100 kg (220 lb)	150 kg (330 lb)
Toyota Land Cruiser 200 Series, 5dr SUV Aug 07-Sep 15	AU	100 kg (220 lb)	150 kg (330 lb)
Toyota Land Cruiser 200 Series, 5dr SUV Nov 07-Sep 15	NZ	100 kg (220 lb)	150 kg (330 lb)
Toyota Land Cruiser 200 Series, 5dr SUV 15+	ZA	100 kg (220 lb)	150 kg (330 lb)
Toyota Land Cruiser 200 Series, 5dr SUV Oct 15+	AU, NZ	100 kg (220 lb)	150 kg (330 lb)
Toyota Land Cruiser 200 Series, 5dr SUV 15-16	CN	100 kg (220 lb)	150 kg (330 lb)



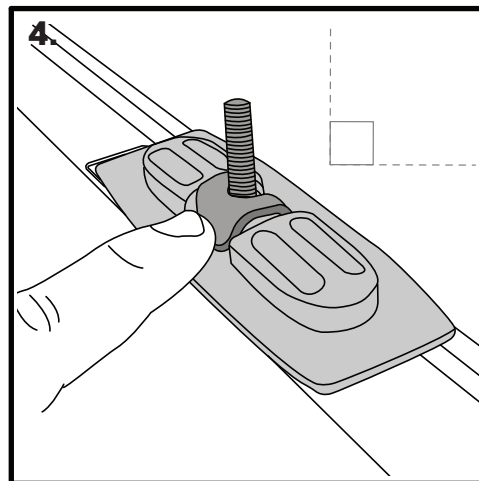
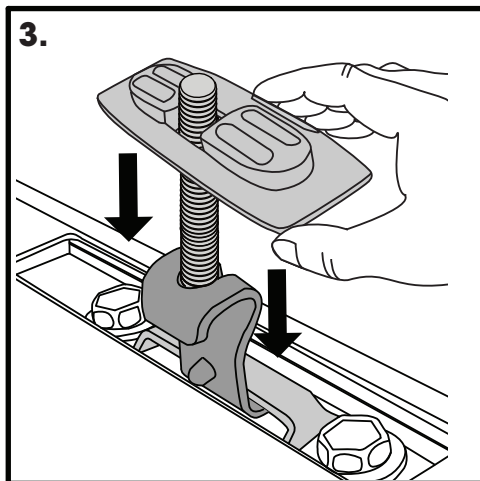
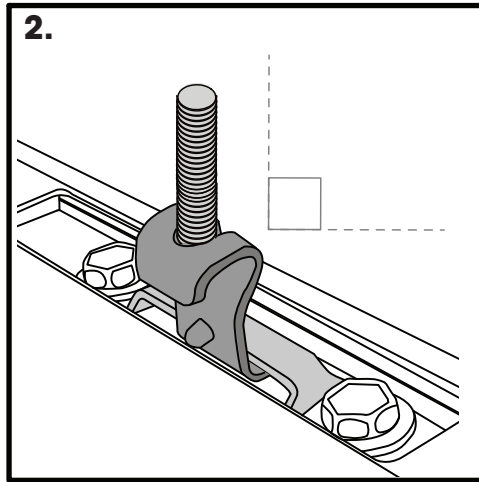
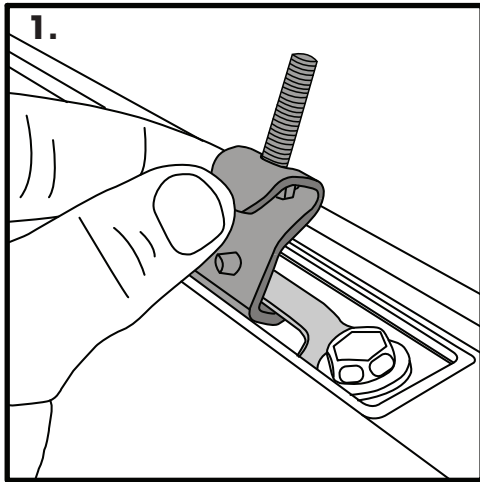
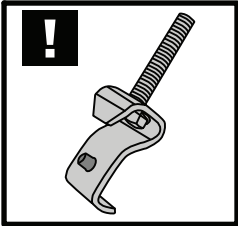
ATTENTION • ACHTUNG • ATENCIÓN • ATTENTION • OPPMERKSOMHET • ATENÇÃO • ВНИМАНИЕ • ATTENZIONE
 UWAGA • UPOZORNĚNÍ • UPOZORNENIE • LET OP • UPPMÄRKSAMHET • OPMÆRKSOMHED • УВАГА • HUOMIO



ATTENTION • ACHTUNG • ATENCIÓN • ATTENTION • OPPMERKSOMHET • ATENÇÃO • ВНИМАНИЕ • ATTENZIONE
 UWAGA • UPOZORNĚNÍ • UPOZORNENIE • LET OP • UPPMÄRKSAMHET • OPMÆRKSOMHED • УВАГА • HUOMIO

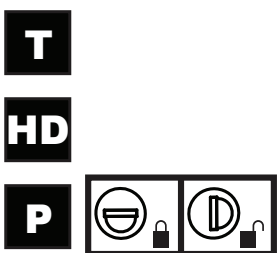
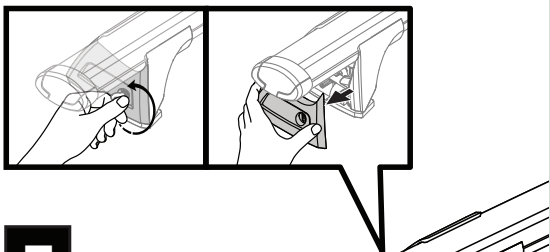
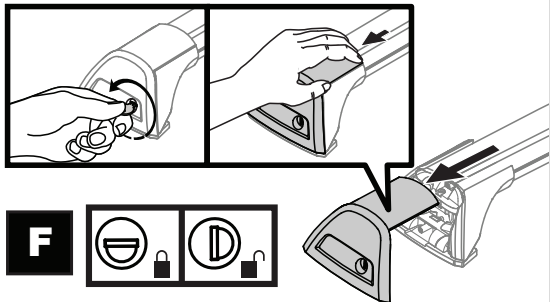


3



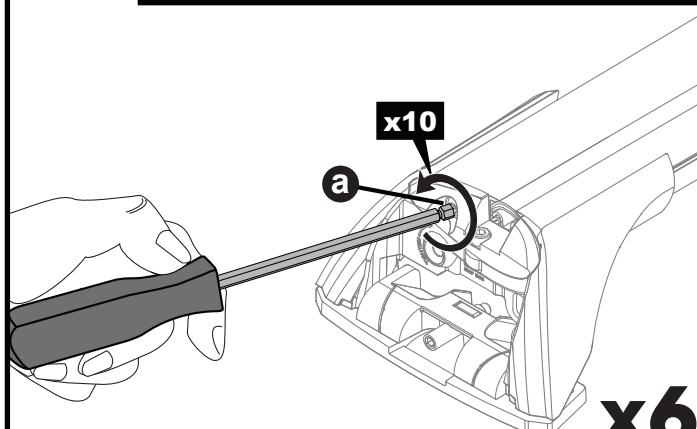
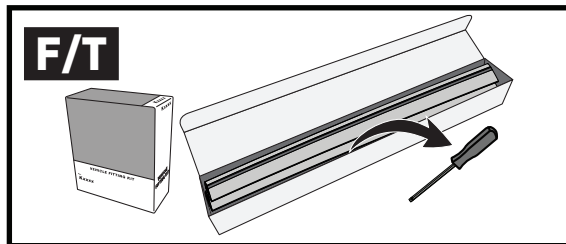
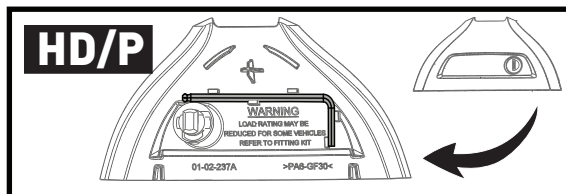
x6

4

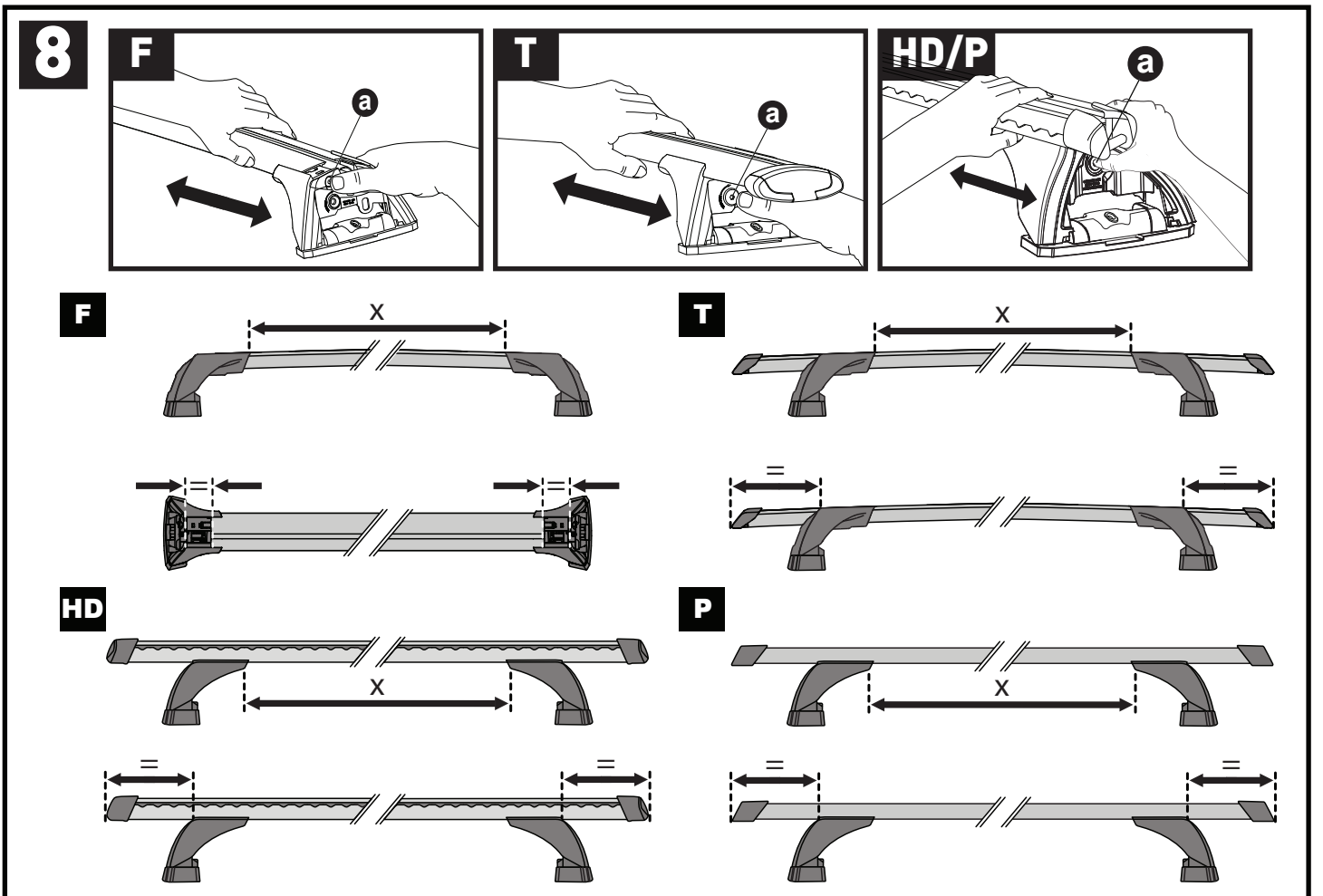
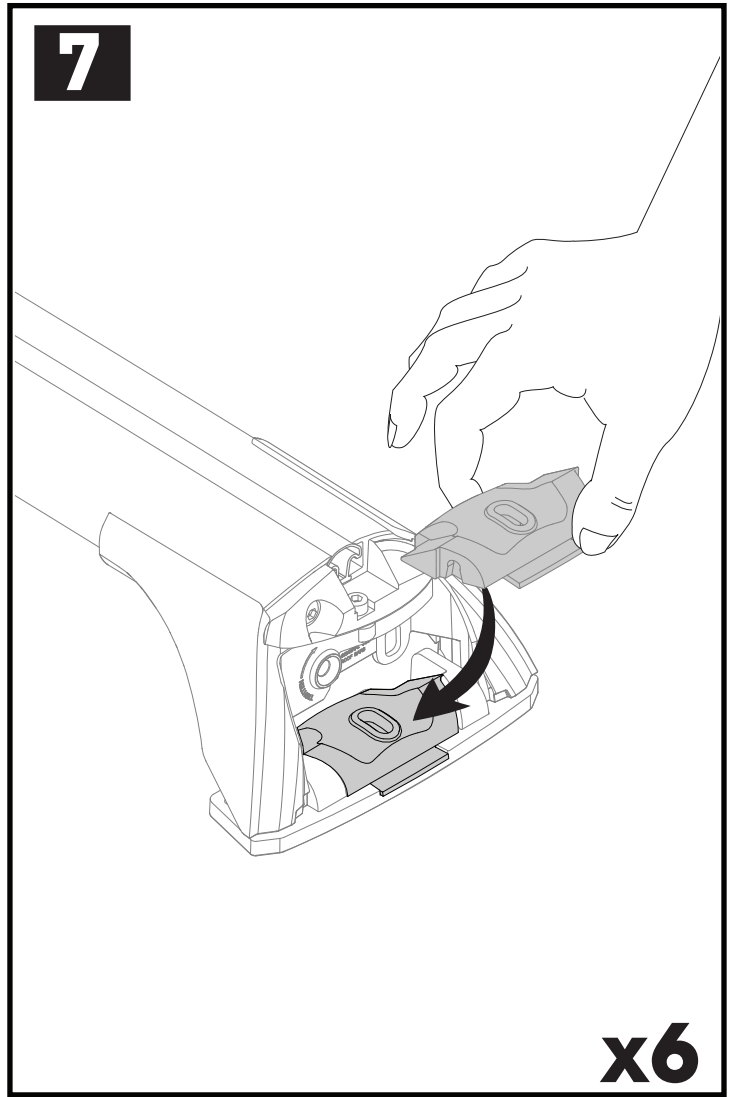
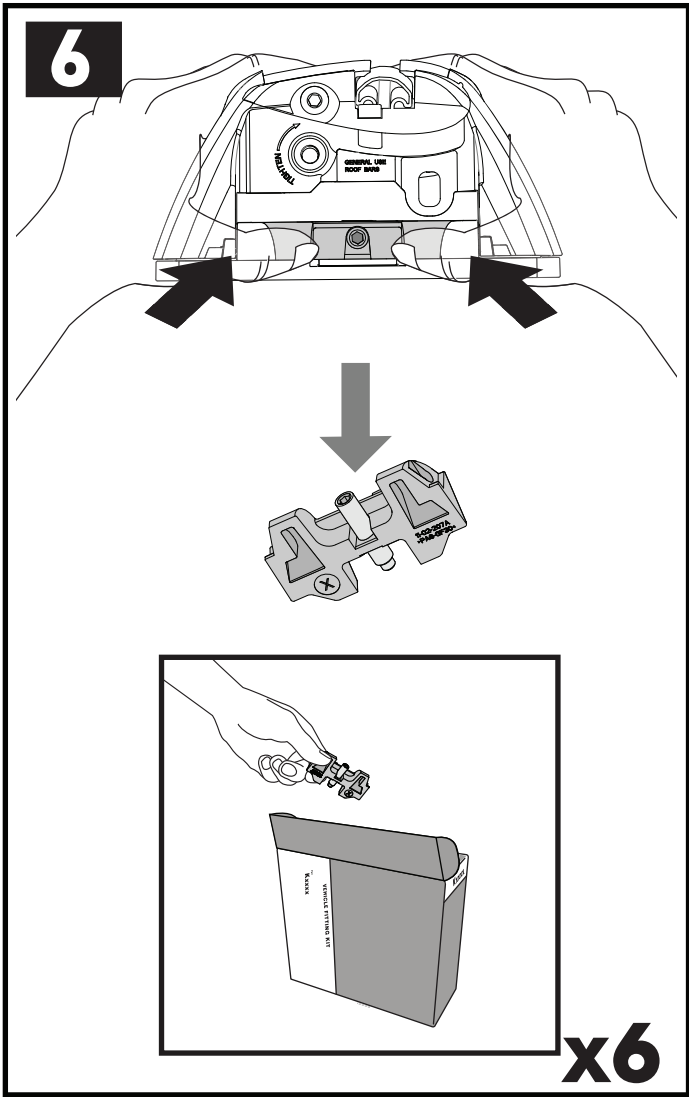


x6

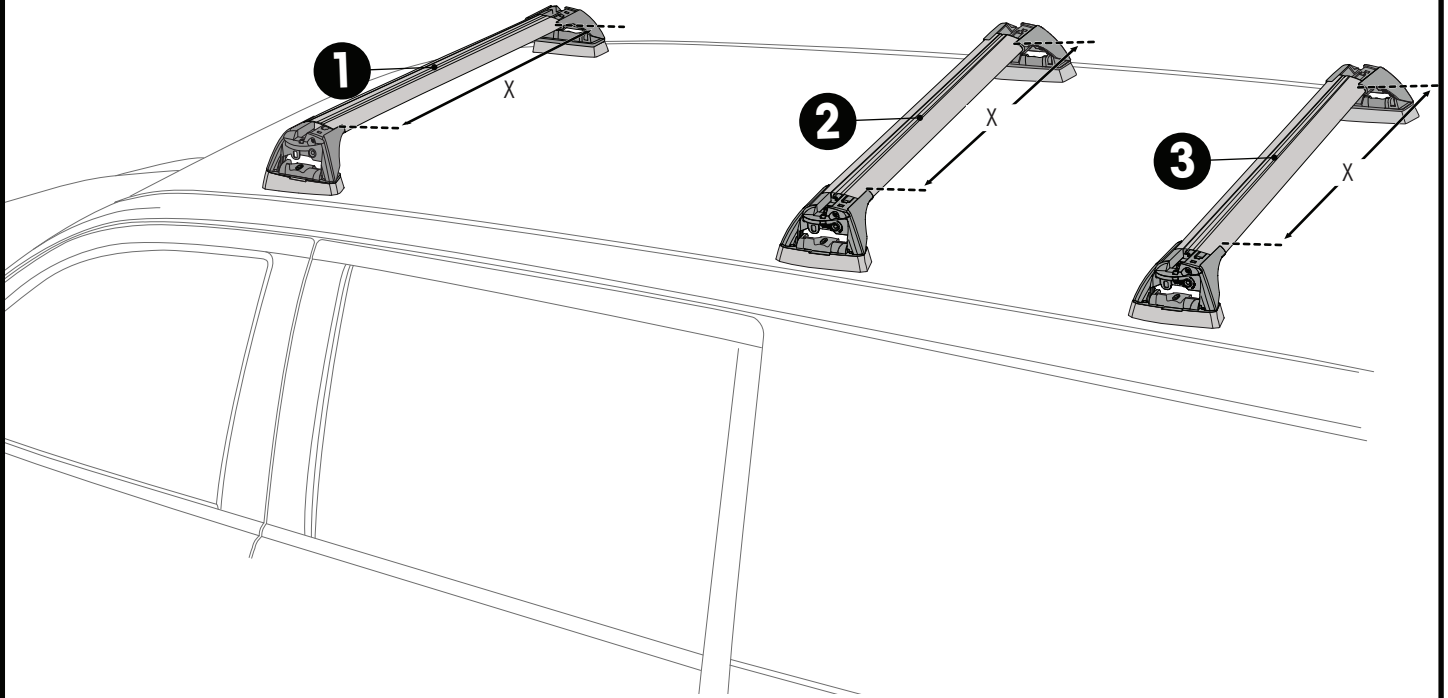
5





x6

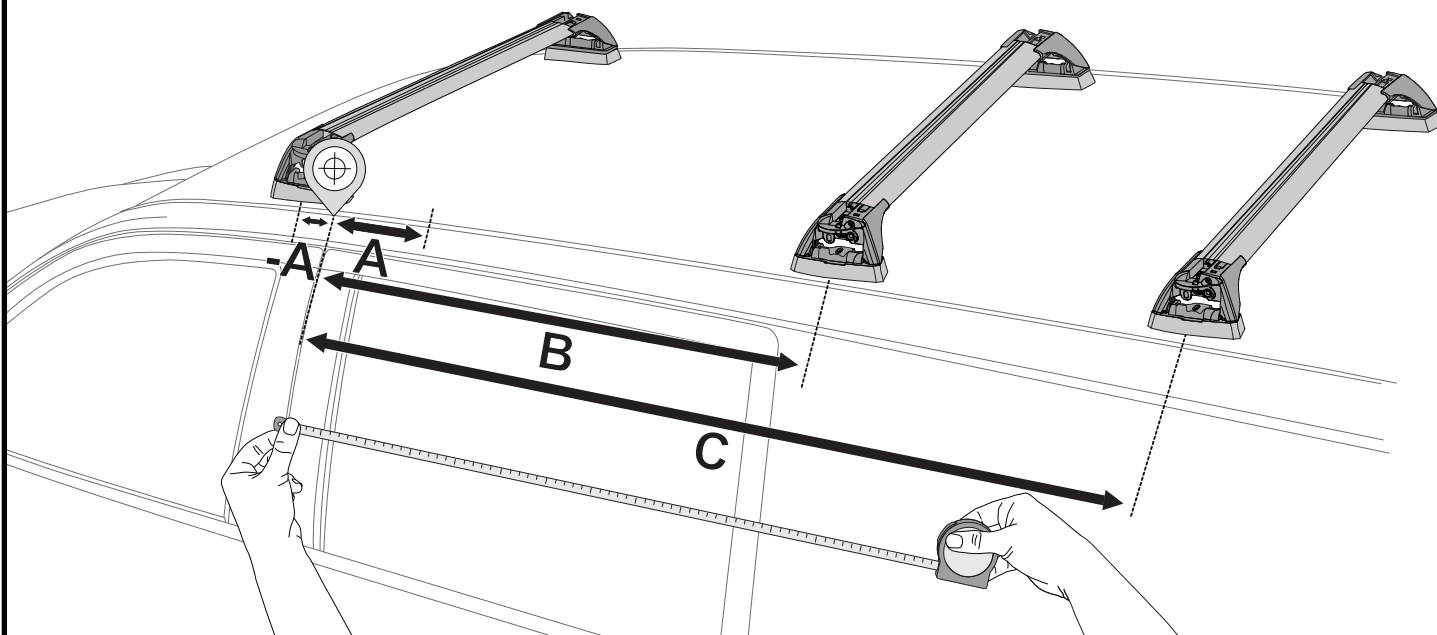




9



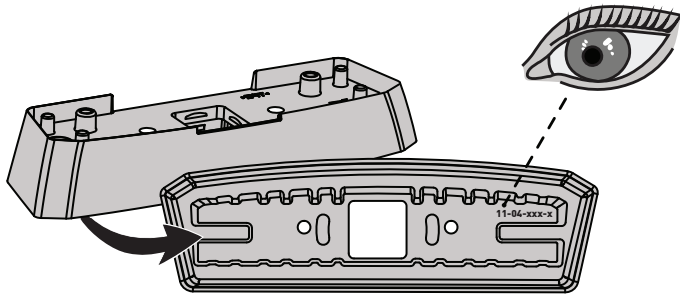
		1	2	3
Lexus LX, 5dr SUV Apr 98-Jul 07	AU	X = 1040 mm (41")	X = 1010 mm (39 3/4")	X = 990 mm (39")
Lexus LX, 5dr SUV May 98-Oct 07	NZ	X = 1040 mm (41")	X = 1010 mm (39 3/4")	X = 990 mm (39")
Toyota Land Cruiser 100 Series, 5dr SUV 98-07	EU, ZA	X = 1040 mm (41")	X = 1010 mm (39 3/4")	X = 990 mm (39")
Toyota Land Cruiser 100 Series, 5dr SUV Apr 98-Jun 07	AU	X = 1040 mm (41")	X = 1010 mm (39 3/4")	X = 990 mm (39")
Toyota Land Cruiser 100 Series, 5dr SUV Apr 98-Oct 07	NZ	X = 1040 mm (41")	X = 1010 mm (39 3/4")	X = 990 mm (39")
Toyota Land Cruiser 120 Series, 5dr SUV 03-09	EU	X = 920 mm (36 1/4")	X = 864 mm (34")	X = 841 mm (33 1/4")
Toyota Land Cruiser 120 Series Prado, 5dr SUV Mar 03-Oct 09	AU	X = 920 mm (36 1/4")	X = 864 mm (34")	X = 841 mm (33 1/8")
Toyota Land Cruiser 120 Series Prado, 5dr SUV Mar 03-Nov 09	NZ	X = 920 mm (36 1/4")	X = 864 mm (34")	X = 841 mm (33 1/4")
Toyota Land Cruiser 150 Series Prado, 5dr SUV Nov 09+	AU	X = 935 mm (36 3/4")	X = 895 mm (35 1/4")	X = 875 mm (34 1/2")
Toyota Land Cruiser 150 Series Prado, 5dr SUV Dec 09+	NZ	X = 935 mm (36 3/4")	X = 895 mm (35 1/4")	X = 875 mm (34 1/2")
Toyota Land Cruiser 150 Series Prado, 5dr SUV 09-16	CN	X = 935 mm (36 3/4")	X = 895 mm (35 1/4")	X = 875 mm (34 1/2")
Toyota Land Cruiser 200 Series, 5dr SUV 07-15	CN	X = 983 mm (38 3/4")	X = 954 mm (37 1/2")	X = 935 mm (36 3/4")
Toyota Land Cruiser 200 Series V8, 5dr SUV 07-15	EU	X = 983 mm (38 3/4")	X = 954 mm (37 1/2")	X = 935 mm (36 3/4")
Toyota Land Cruiser 200 Series, 5dr SUV Aug 07-Sep 15	AU	X = 983 mm (38 3/4")	X = 954 mm (37 1/2")	X = 935 mm (36 3/4")
Toyota Land Cruiser 200 Series, 5dr SUV Nov 07-Sep 15	NZ	X = 983 mm (38 3/4")	X = 954 mm (37 1/2")	X = 935 mm (36 3/4")
Toyota Land Cruiser 200 Series, 5dr SUV 15+	ZA	X = 983 mm (38 3/4")	X = 959 mm (37 3/4")	X = 945 mm (37 1/4")
Toyota Land Cruiser 200 Series, 5dr SUV Oct 15+	AU, NZ	X = 983 mm (38 3/4")	X = 959 mm (37 3/4")	X = 945 mm (37 1/4")
Toyota Land Cruiser 200 Series, 5dr SUV 15-16	CN	X = 983 mm (38 3/4")	X = 959 mm (37 3/4")	X = 945 mm (37 1/4")

10



		A	B	C
Lexus LX, 5dr SUV Apr 98-Jul 07	AU	A = 150 mm (5 7/8")	B = 820 mm (32 1/4")	C = 1540 mm (60 5/8")
Lexus LX, 5dr SUV May 98-Oct 07	NZ	A = 150 mm (5 7/8")	B = 820 mm (32 1/4")	C = 1540 mm (60 5/8")
Toyota Land Cruiser 100 Series, 5dr SUV 98-07	EU, ZA	A = 150 mm (5 7/8")	B = 820 mm (32 1/4")	C = 1540 mm (60 5/8")
Toyota Land Cruiser 100 Series, 5dr SUV Apr 98-Jun 07	AU	A = 150 mm (5 7/8")	B = 820 mm (32 1/4")	C = 1540 mm (60 5/8")
Toyota Land Cruiser 100 Series, 5dr SUV Apr 98-Oct 07	NZ	A = 150 mm (5 7/8")	B = 820 mm (32 1/4")	C = 1540 mm (60 5/8")
Toyota Land Cruiser 200 Series, 5dr SUV 07-15	CN	A = 280 mm (11")	B = 940 mm (37")	C = 1600 mm (63")
Toyota Land Cruiser 200 Series, 5dr SUV Aug 07-Sep 15	AU	A = 280 mm (11")	B = 940 mm (37")	C = 1600 mm (63")
Toyota Land Cruiser 200 Series, 5dr SUV Nov 07-Sep 15	NZ	A = 280 mm (11")	B = 940 mm (37")	C = 1600 mm (63")
Toyota Land Cruiser 200 Series, 5dr SUV 15+	ZA	A = 270 mm (10 5/8")	B = 930 mm (36 5/8")	C = 1585 mm (62 3/8")
Toyota Land Cruiser 200 Series, 5dr SUV Oct 15+	AU, NZ	A = 270 mm (10 5/8")	B = 930 mm (36 5/8")	C = 1585 mm (62 3/8")
Toyota Land Cruiser 200 Series, 5dr SUV 15-16	CN	A = 270 mm (10 5/8")	B = 930 mm (36 5/8")	C = 1585 mm (62 3/8")
Toyota Land Cruiser V8 200 Series, 5dr SUV 07-15	EU	A = 280 mm (11")	B = 940 mm (37")	C = 1600 mm (63")
Toyota Land Cruiser Prado 120 Series, 5dr SUV Mar 03-Oct 09	AU	-	B = 850 mm (33 1/2")	C = 1340 mm (52 3/4")
Toyota Land Cruiser Prado, 5dr SUV 03-09	EU	-	B = 850 mm (33 1/2")	C = 1340 mm (52 3/4")
Toyota Land Cruiser Prado, 5dr SUV Mar 03-Nov 09	NZ	-	B = 850 mm (33 1/2")	C = 1340 mm (52 3/4")
Toyota Land Cruiser Prado 150 Series, 5dr SUV Nov 09+	AU	A = 20 mm (6/8")	B = 830 mm (32 5/8")	C = 1310 mm (51 5/8")
Toyota Land Cruiser Prado 150 Series, 5dr SUV Dec 09+	NZ	A = 20 mm (6/8")	B = 830 mm (32 5/8")	C = 1310 mm (51 5/8")
Toyota Land Cruiser Prado, 5dr SUV 09-16	CN	A = 20 mm (6/8")	B = 830 mm (32 5/8")	C = 1310 mm (51 5/8")

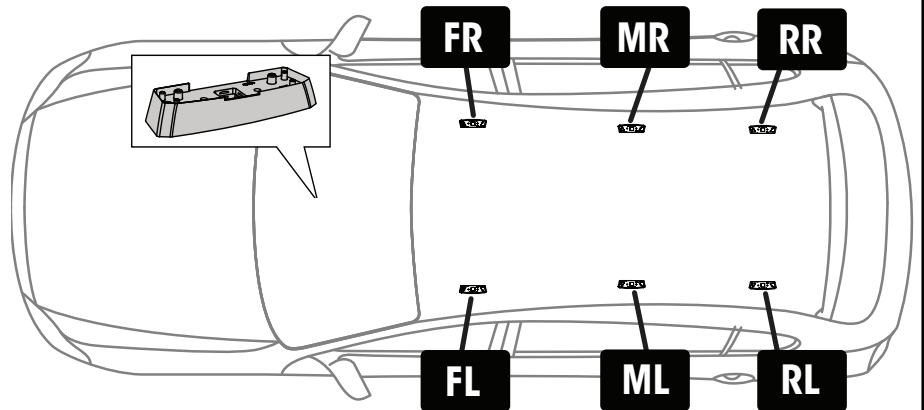
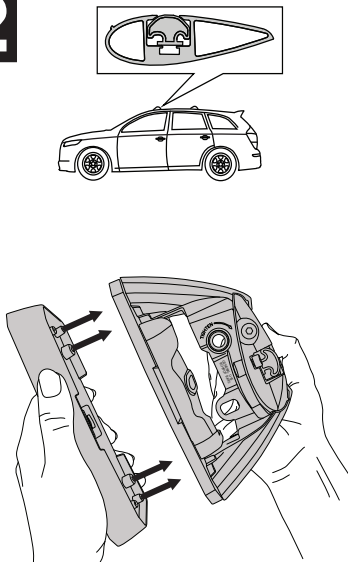
11



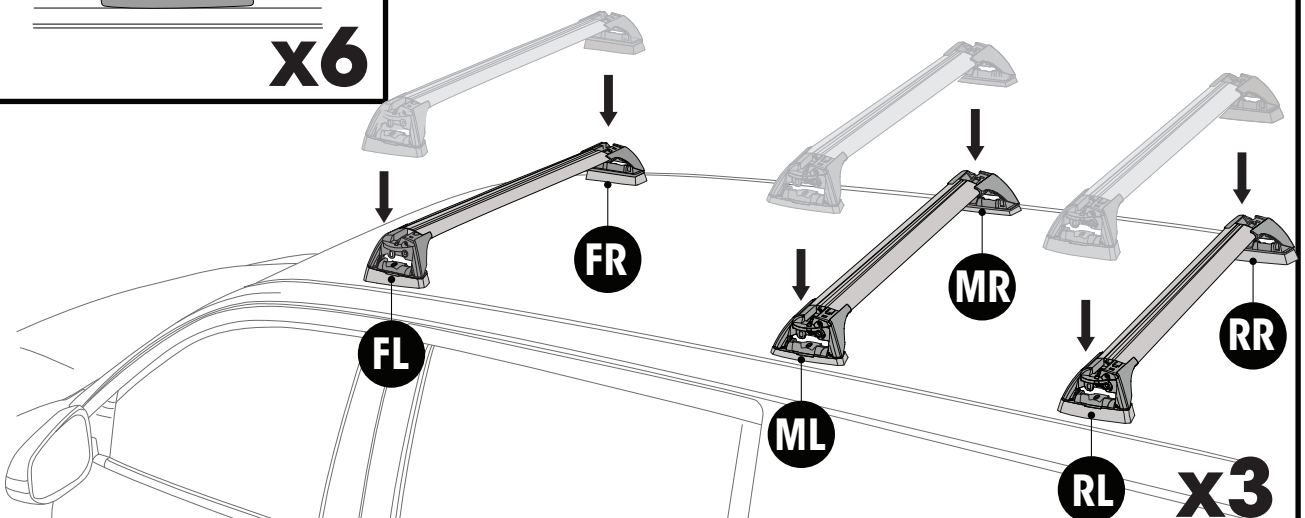
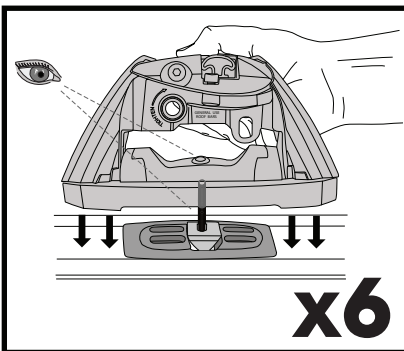
- FR** = 11-04-222-A
- FL** = 11-04-223-A
- MR** = 11-04-218-A
- ML** = 11-04-218-A
- RR** = 11-04-223-A
- RL** = 11-04-222-A

PLACEMENT • PLATZIERUNG • COLOCACIÓN • MONTAGE • PLASSERING • COLOCAÇÃO • РАЗМЕЩЕНИЕ • MONTAGGIO
 UMIESZCZENIE • UMÍSTĚNÍ • UMIESTNENIE • PLAATSING • PLACERING • PLACERING • РОЗМІЩЕННЯ • SIJOITTA

12



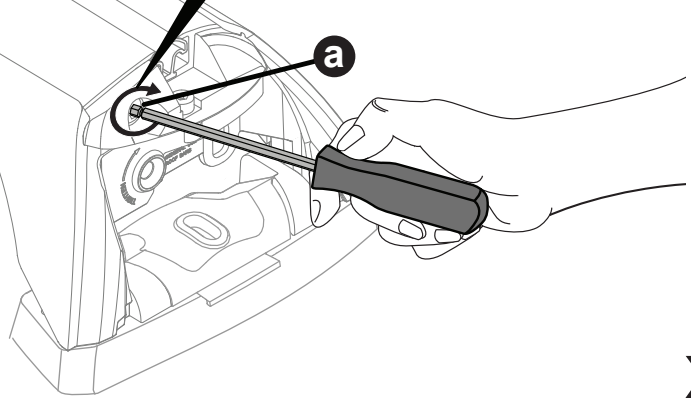
13



14

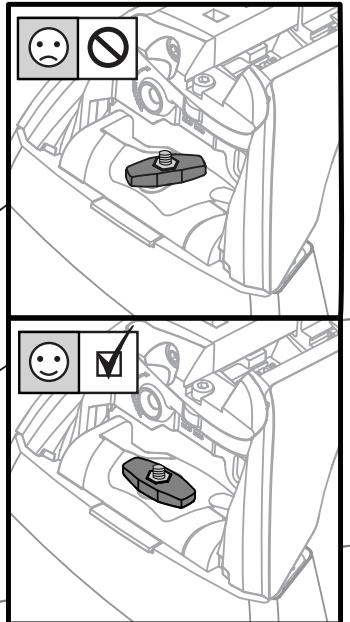
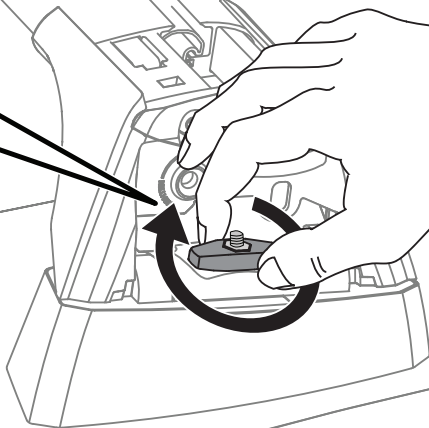
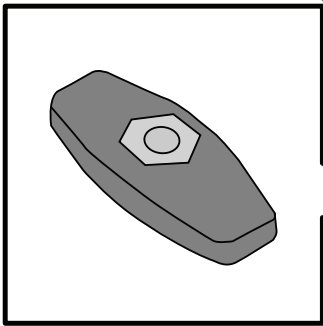
2 Nm
(18 lb-in)

a



x6

15

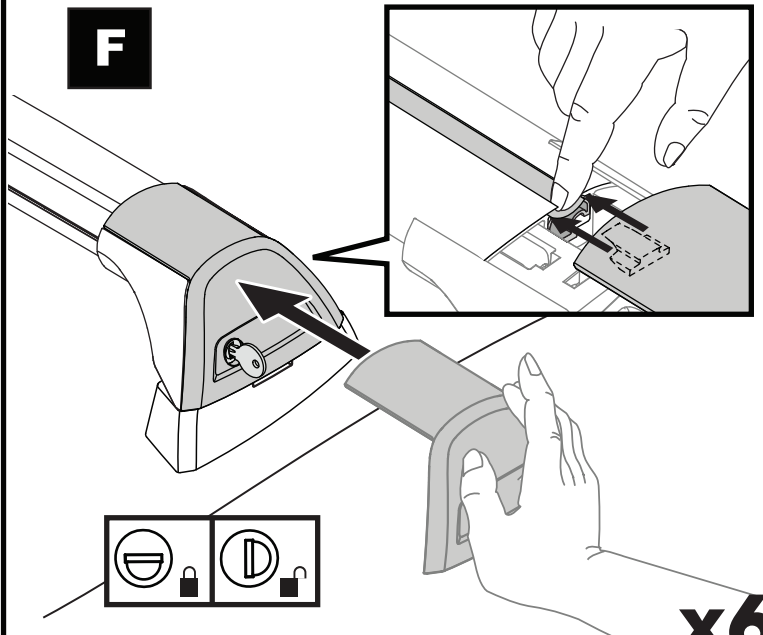
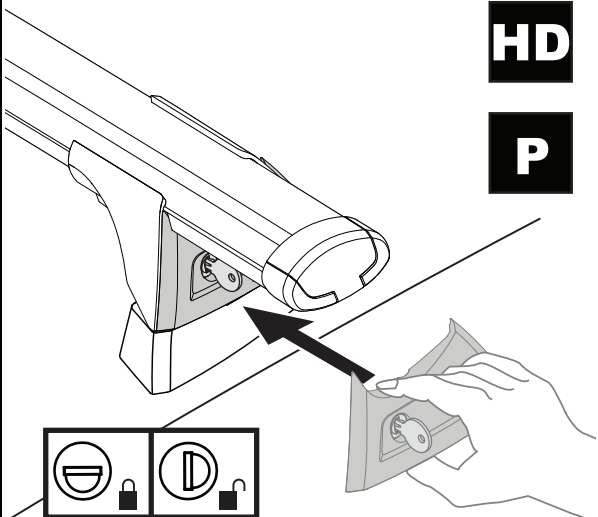


x6

16

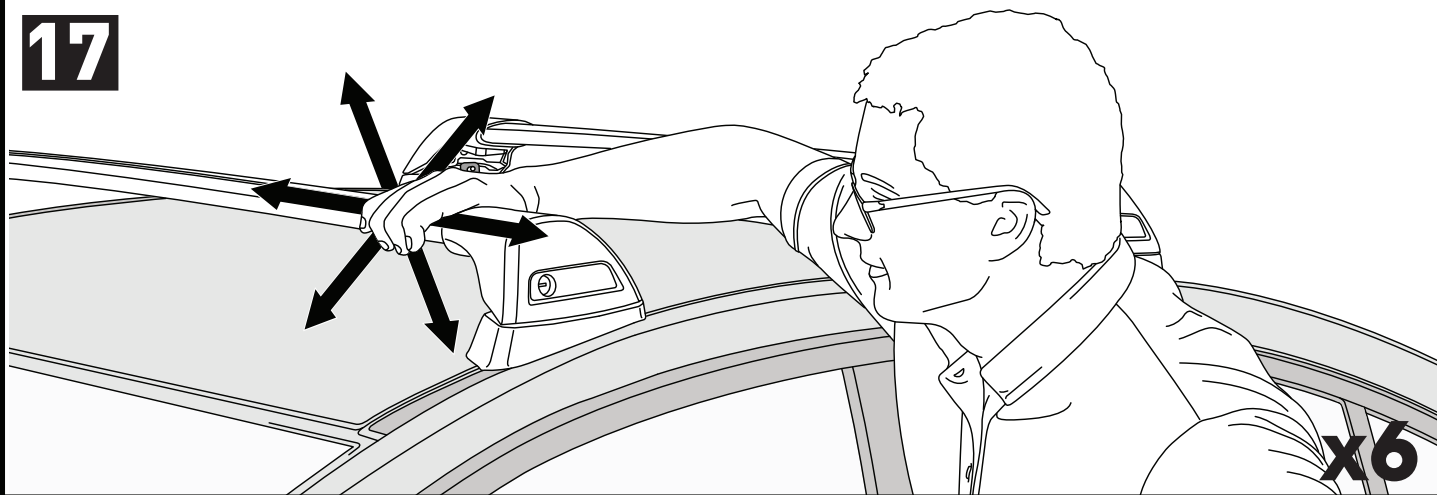
T
HD
P

F



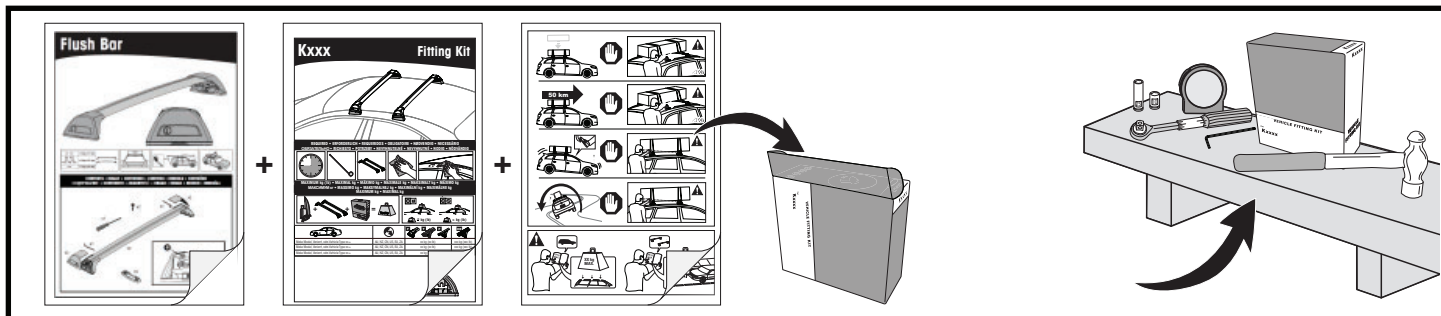
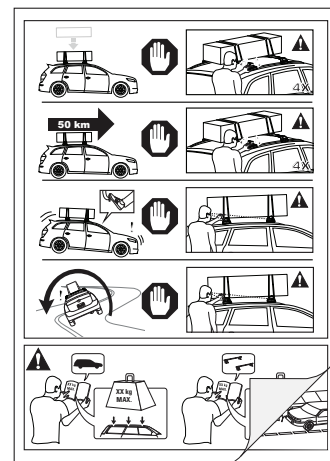
x6

17



**ATTENTION • ACHTUNG • ATENCIÓN • ATTENTION • OPPMERKSOMHET • ATENÇÃO • ВНИМАНИЕ • ATTENZIONE
UWAGA • UPOZORNĚNÍ • UPOZORNENIE • LET OP • UPPMÄRKSAMHET • OPMÆRKSOMHED • УВАГА • HUOMIO**

- EN** Please read safety and warranty booklet included with this product prior to use. For more information visit your local dealer.
- DE** Bitte lesen und beachten Sie die beiliegende Montageanleitung, Sicherheitshinweise und Garantiebedingungen bevor Sie das Produkt montieren/benutzen. Für weitere Informationen kontaktieren Sie bitte Ihren Händler.
- ES** Por favor, lea folleto de seguridad y garantía que se incluye con este producto antes de su uso. Para obtener más información, visite a su distribuidor local.
- FR** Veuillez lire attentivement le manuel de sécurité et de garantie avant utilisation. Pour plus d'informations, visitez votre concessionnaire local.
- NO** Vennligst les hefte om sikkerhet og garanti som er vedlagt dette produkt før det tas i bruk. For mer informasjon ta kontakt med din forhandler.
- PT** Por favor leia o manual de segurança e garantia incluído, antes de utilizar o produto. Para mais informações visite o seu revendedor local.
- RU** Пожалуйста, ознакомьтесь с инструкцией перед тем, как использовать товар. Для получения более подробной информации обратитесь к местному дилеру.
- IT** Si prega di leggere il libretto di sicurezza e garanzia incluso nel prodotto prima dell'uso. Per maggiori informazioni visita il rivenditore locale.
- PL** Proszę zapoznać się z warunkami gwarancji i bezpieczeństwa przed użyciem produktu. W celu uzyskania dodatkowych informacji proszę kontaktować się z najbliższym autoryzowanym punktem sprzedaży.
- CS** Před použitím si prosím přečtete přiložené informace o bezpečnosti a záručních podmínkách. Pro více informací navštivte nejbližšího dealera.
- SK** Pred použitím si prosím prečítajte priložené informácie o bezpečnosti a záručných podmienkach. Pre viac informácií navštívte najbližšieho diera.
- NL** A.U.B. bijgesloten garantie- en veiligheidsinstructies grondig lezen voor gebruik van dit product. Voor meer informatie graag contact opnemen met uw dealer.
- SV** Var snäll och läs igenom säkerhets- och garantihäftet som medföljer produkten före användning. För mer information besök din lokala återförsäljare.
- DK** Læs venligst sikkerheds- og garantibogholderen, der følger med dette produkt, inden brug. For mere information besøg din lokale forhandler.
- UA** Будь ласка, ознайомтеся з брошурою безпеки та гарантії, включені до цього продукту перед використанням. Для отримання додаткової інформації відвідайте місцевого дилера.
- FI** Lue tämän tuotteen mukana toimitetut turvallisuus- ja takuu huoltopalvelut ennen käyttöä. Lisätietoja saat paikalliselta jälleenmyyjältä.



Yakima Australia Pty Ltd
17 Hinkler Court, Brendale
QLD 4500, Australia
1800 143 548
www.prorack.com.au
www.whispbar.com.au

Yakima Products, Inc.
4101 Kruse Way
Lake Oswego, OR. 97035 USA
888 925 4621
www.yakima.com

WORKS WITH:
YAKIMA
WHISPBAR
prorack